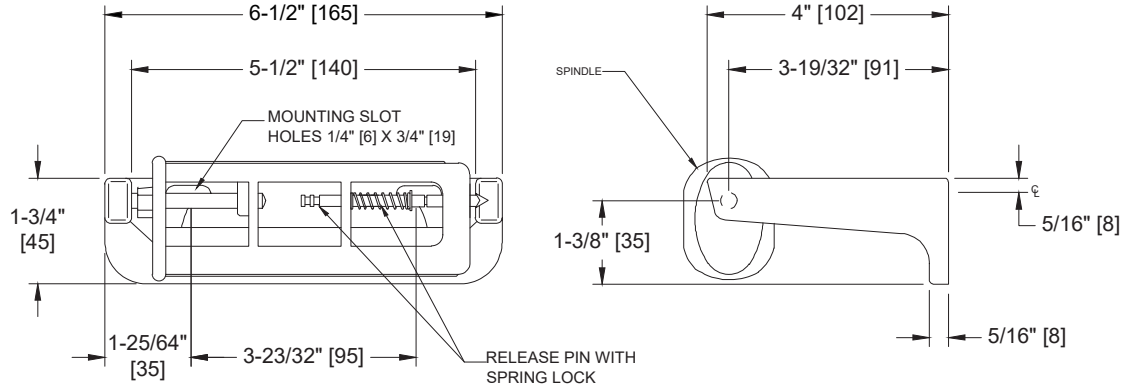
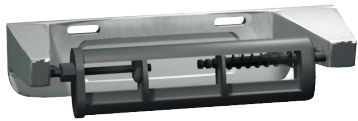


Single Toilet Tissue Holder – Surface Mounted, Controlled Delivery

Toilet Tissue Dispensers

MasterFormat Section 10 28 13



Scan for Information



SUSTAINABILITY/LEED

MR 4.1 (1) MR 6 (1) EQ 4.2 (1)
MR 4.2 (1) EQ 4.1 (1) EQ 4.4 (1)

NOTE:
ALL DIM'S INCH [MM]
ILLUSTRATION FOR REF ONLY AND NTS

PRODUCT OVERVIEW

Single roll toilet tissue dispenser with controlled-delivery spindle. Holds and dispenses all standard core roll tissue up to 6" diameter [Ø152]. Fabricated of heavy-duty aluminum casting with satin-matte, silver-grey powder coated finish.

KEY FEATURES & SPECIFICATIONS

- Single Roll Dispenser
- Controlled Delivery Spindle
- Aluminum Casting with Satin-Matte, Silver-Grey Finish
- Surface Mounted

OPERATION & MAINTENANCE

Spindle revolves 1/2 revolution for each operation and then returns to its original position. Roll core prevents access to release pin and cannot be removed from spindle until exhausted. Unit is replenished by releasing a concealed pin which in turn releases a spring lock mechanism on spindle.

TECHNICAL INFORMATION / PRODUCT PROPERTIES

Property	Value
Dimensions	6-1/2" [165] W x 1-3/4" [45] H x 4" [102] D
Construction	Aluminum Casting with Satin-Matte, Silver-Grey Finish
Mounting	Surface Mounted
Capacity	Holds one (1) roll of standard core roll toilet paper up to 6" Dia. [Ø152]

INSTALLATION

Unit is surface mounted on wall or partition using self-threading screws (by others). For compliance with 2010 ADA Accessibility Standards, unit should be installed so that tissue roll centerline is between 44" [1118] maximum above finished floor (AFF) and 19" [483] minimum AFF.

OPTIONS
WARRANTY

One (1) Year from date of Invoice